

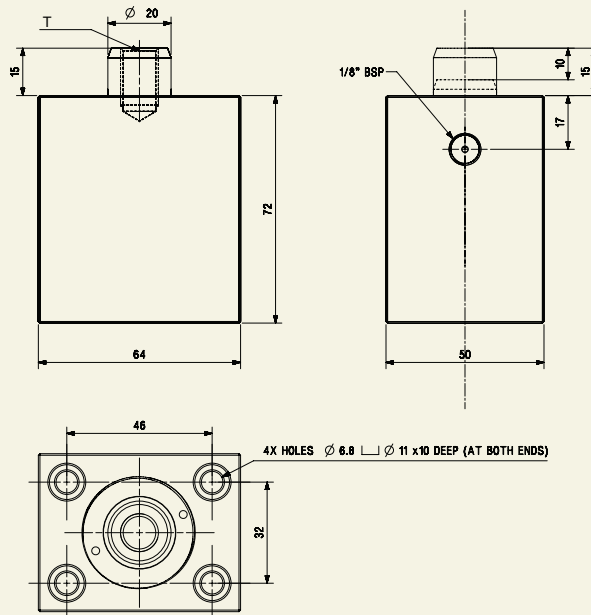
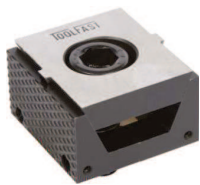
HPNR SERIES: HYDRAULIC PULL CYLINDER, SHORT STROKE WITH NON-ROTATING PISTON ROD, INLET OIL PRESSURE 50-350 Kg/cm², SINGLEACTING

NOW !! AUTOMATE YOUR WEDGE CLAMPS AND OTHER BOLT-DOWN CLAMPS ON NEW OR EXISTING FIXTURES !

- ❑ These pull cylinders can be mounted under the fixture plate to pull down clamping screws of fixture clamps instead of tightening by spanner.
- ❑ Unique feature of this cylinder is that the piston rod does not rotate while fixing or removing the clamping screw or during operation which makes it very convenient to adopt.
- ❑ Available in M-8, M-10 and M-12 threaded piston rods to suit the most popular sizes of TOOLFAST Wedge clamps and MITEEBITE Pitbull, Uniforce and ID Xpansion clamps.



AUTOMATE THESE MANUAL CLAMPS ON YOUR FIXTURES



MODEL	THREAD T	PULLING FORCE AT 200Kg/cm ² INLET OIL PRESSURE	MAX. STROKE mm	PISTON DIA mm	N. W. kgs.
HPNR-1032-8	M-8	9 kN	10	32	1.55
HPNR-1032-10	M-10	9 kN	10	32	1.55
HPNR-1032-12	M-12	9 kN	10	32	1.55

2D & 3D FILES AVAILABLE ON REQUEST